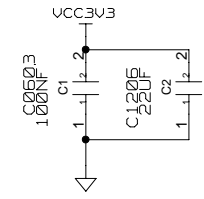
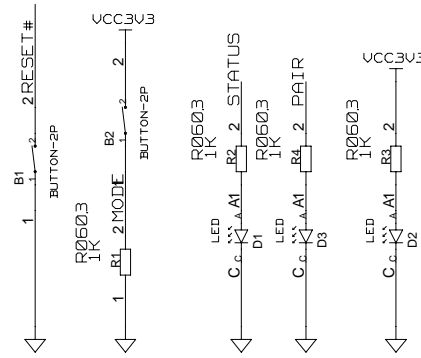
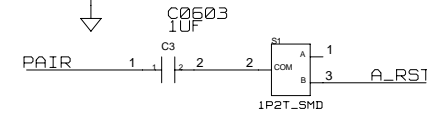
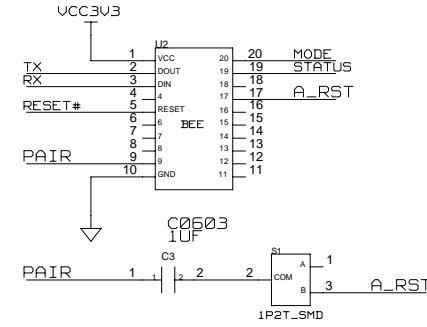
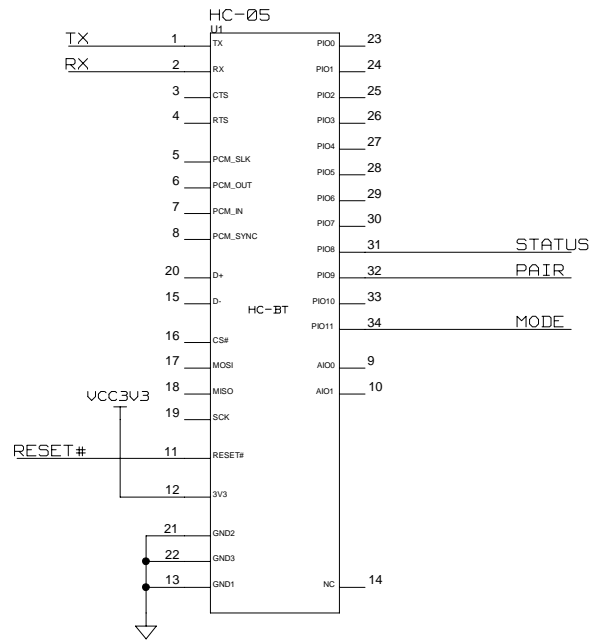


AL_RST IS A OUTPUT PIN TO GIVE A RESET SIGNAL TO ARDUINO BOARD WHEN IN BT UPLOAD



TITLE:	DATE:
ENGINEER:	PAGE: