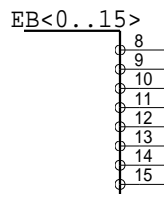
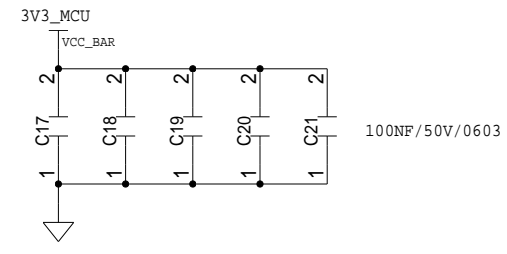
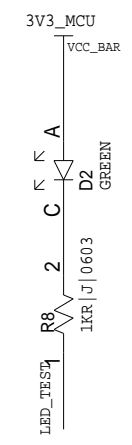
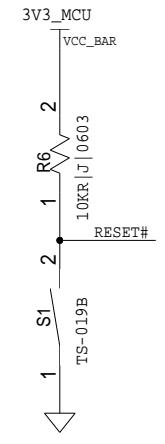
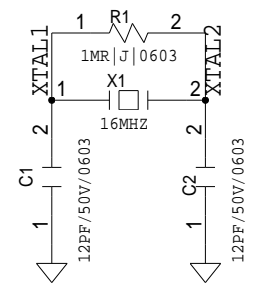
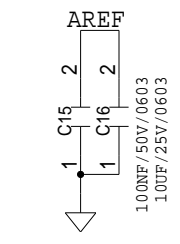


REVISIONS				
ZONE	LTR	DESCRIPTION	DATE	APPROVED

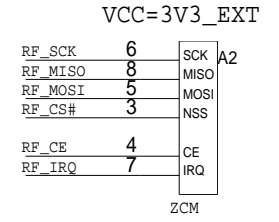
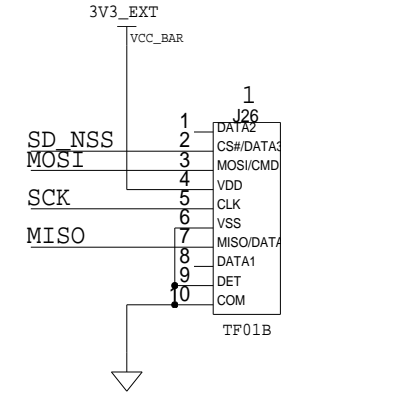
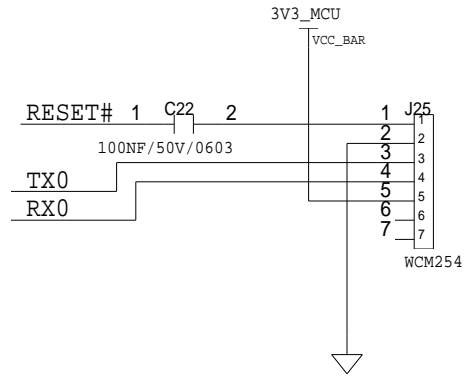
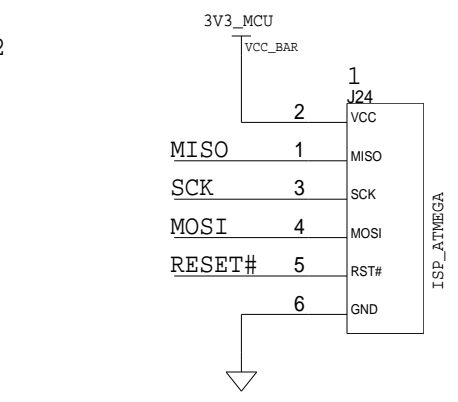
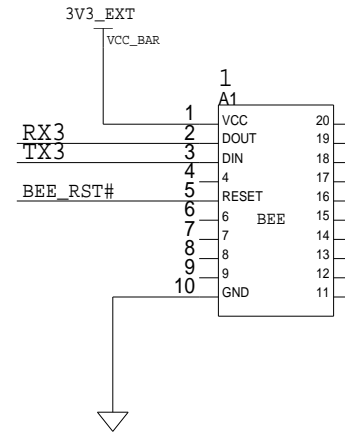
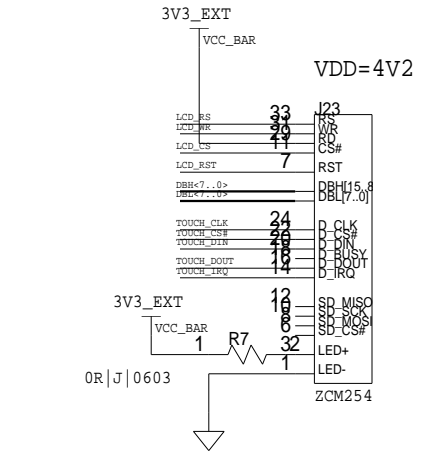
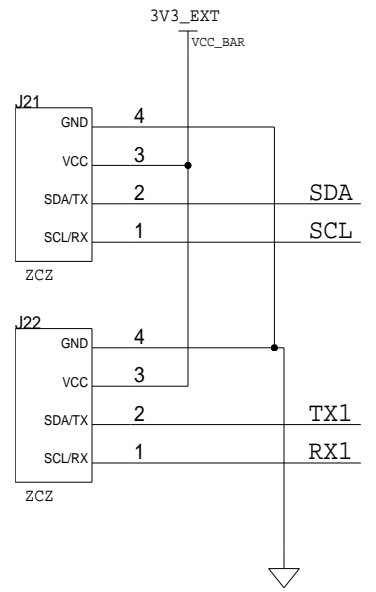
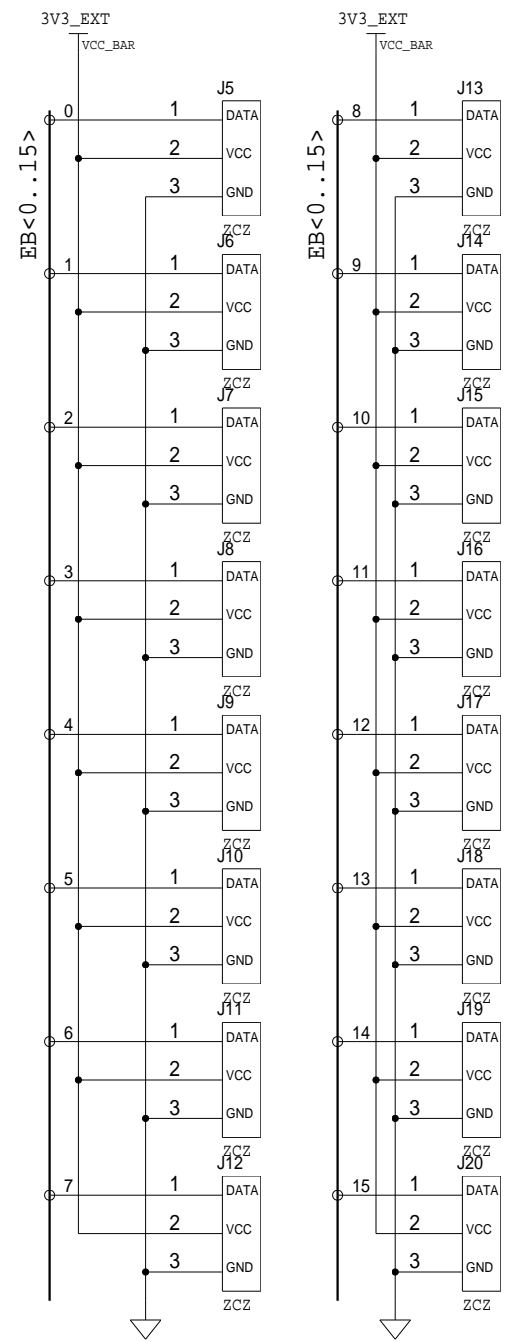
VCC=3V3_MCU; AVCC=3V3_MCU

U1		DBH<7..0>	
AREF 98	AREF	PA0 78	0
RESET# 30	RESET#	PA1 77	1
XTAL2 33	XTAL2	PA2 76	2
XTAL1 34	XTAL1	PA3 75	3
		PA4 74	4
		PA5 73	5
		PA6 72	6
		PA7 71	7
		PB0/SS# 19	SS#
		PB1/SCK 20	SCK
LCD_RST 51	PG0	PB2/MOSI 21	MOSI
LCD_CS 52	PG1	PB3/MISO 22	MISO
LCD_WR 70	PG2	PB4 23	
	PG3	PB5 24	RF_CS#
	PG4	PB6 25	RF_CE
SD_NSS 1	PG5	PB7 26	LED_TEST
		PC0 53	0
RX2 12	PH0/RXD2	PC1 54	1
TX2 13	PH1/TXD2	PC2 55	2
	PH2	PC3 56	3
TOUCH_CLK 15	PH3	PC4 57	4
RF_MISO 16	PH4	PC5 58	5
RF_MOSI 17	PH5	PC6 59	6
RF_SCK 18	PH6	PC7 60	7
	PH7	PD0/SCL 43	SCL
RX3 63	PJ0/RXD3	PD1/SDA 44	SDA
TX3 64	PJ1/TXD3	PD2/RXD1 45	RX1
	PJ2	PD3/TXD1 46	TX1
	PJ3	PD4 47	
	PJ4	PD5 48	
	PJ5	PD6 49	
	PJ6	PD7 50	LCD_RS
	PJ7	PE0/RXD0 2	RX0
		PE1/TXD0 3	TX0
		PE2 4	
		PE3 5	TOUCH_CS#
		PE4 6	TOUCH_IRQ
		PE5 7	TOUCH_DOUT
		PE6 8	
		PE7 9	RF_IRQ
		PF0/AD0 97	0
BEE_RST# 35	PL0	PF1/AD1 96	1
TOUCH_DIN 36	PL1	PF2/AD2 95	2
SIM_RST 37	PL2	PF3/AD3 94	3
SIM_PWR 38	PL3	PF4/AD4 93	4
	PL4	PF5/AD5 92	5
	PL5	PF6/AD6 91	6
	PL6	PF7/AD7 90	7
	PL7		



CONTRACT NO.			
APPROVALS	DATE		
DRAWN			
CHECKED			
		SIZE	DRAWING NO.
ITEAD		B	
		SCALE	SHEET OF

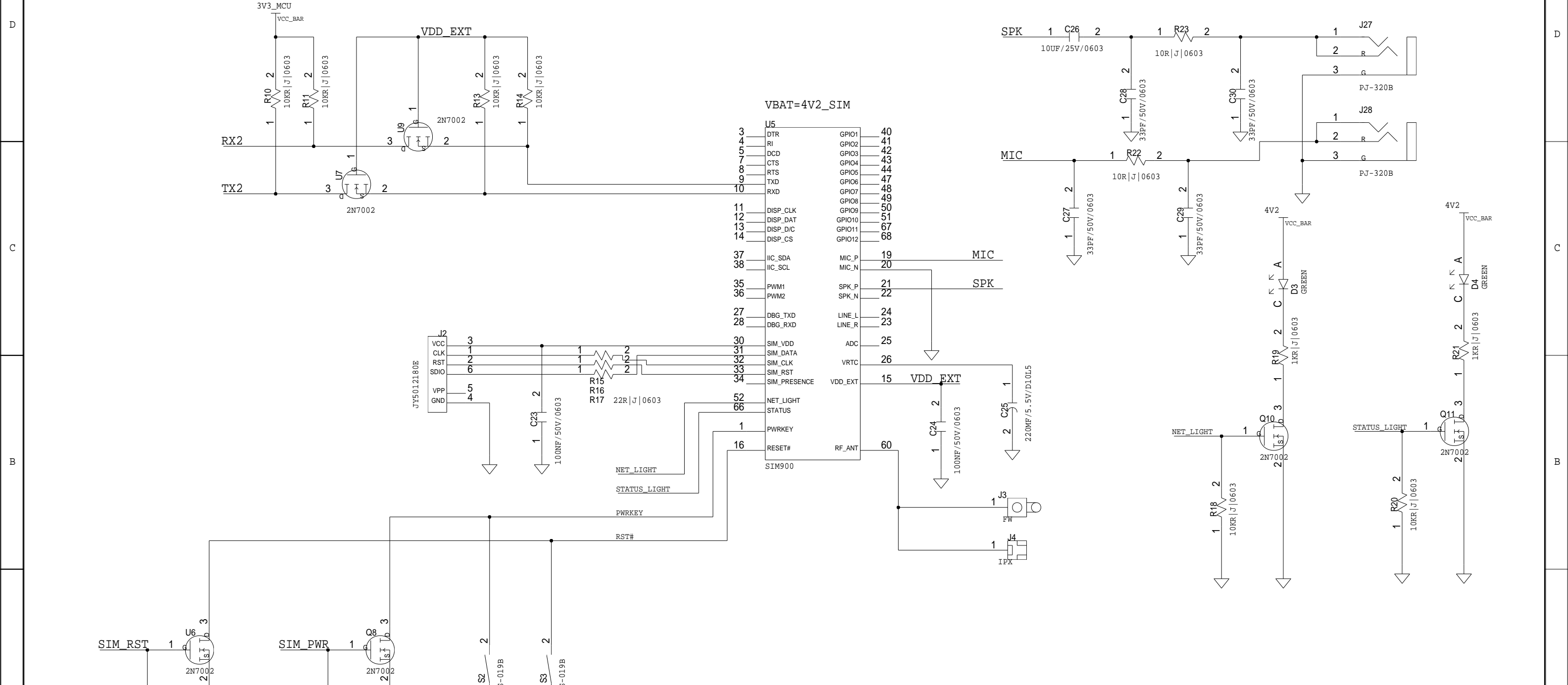
REVISIONS				
ZONE	LTR	DESCRIPTION	DATE	APPROVED



CONTRACT NO.				
APPROVALS	DATE			
DRAWN				
CHECKED				
		SIZE	CODE IDENT NO.	DRAWING NO.
		B		
		SCALE		SHEET OF

ITEAD

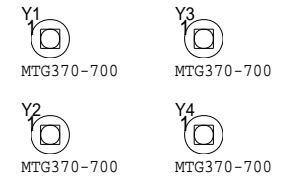
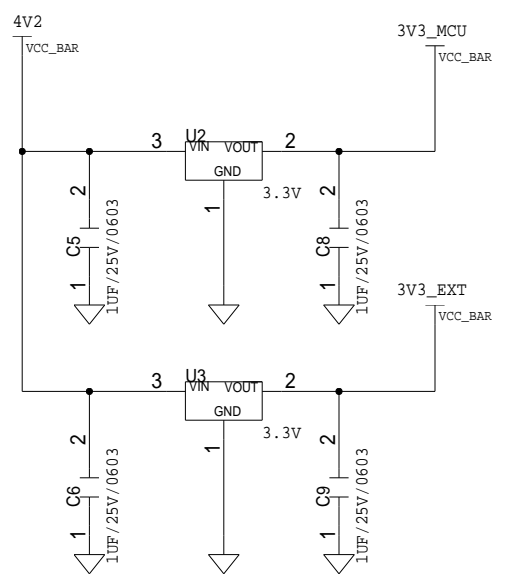
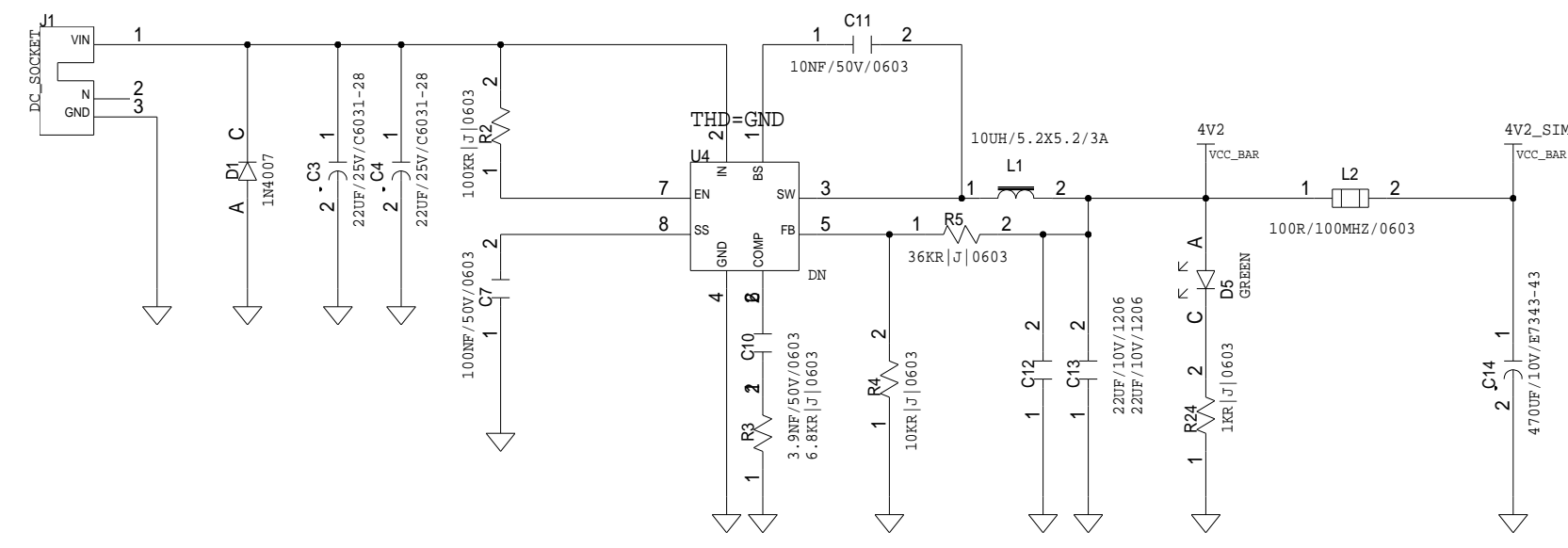
REVISIONS				
ZONE	LTR	DESCRIPTION	DATE	APPROVED



CONTRACT NO.			
APPROVALS	DATE		
DRAWN			
CHECKED			
		SIZE	DRAWING NO.
		B	
		SCALE	SHEET OF

ITEAD

REVISIONS				
ZONE	LTR	DESCRIPTION	DATE	APPROVED



CONTRACT NO.				
APPROVALS	DATE			
DRAWN				
CHECKED				
		SIZE	CODE IDENT NO.	DRAWING NO.
		B		
		SCALE		SHEET OF

ITEAD