

1

2

3

4

5

6

D

C

B

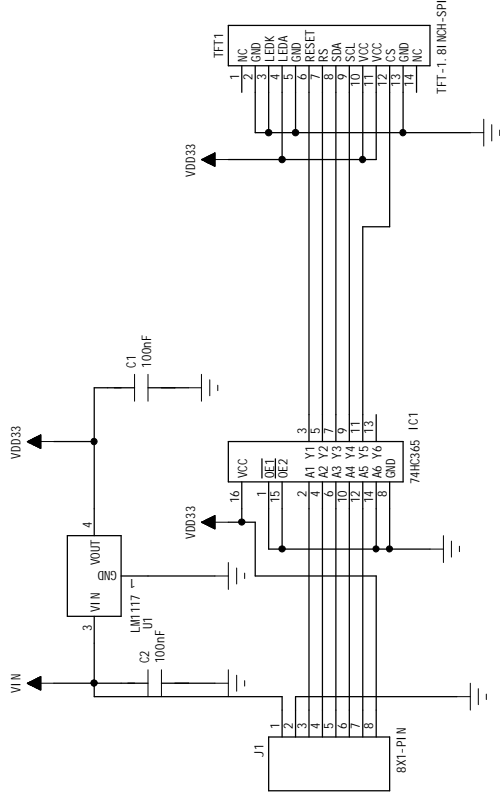
D

C

B

A

A



Company:

Project Name:

Rev:

Sheet Name: <undefined>

Designed by

File Name: TFT-1.8-montage.sch

Date :

Page Num: 1 of 1