

6

5

4

3

2

1

D

C

B

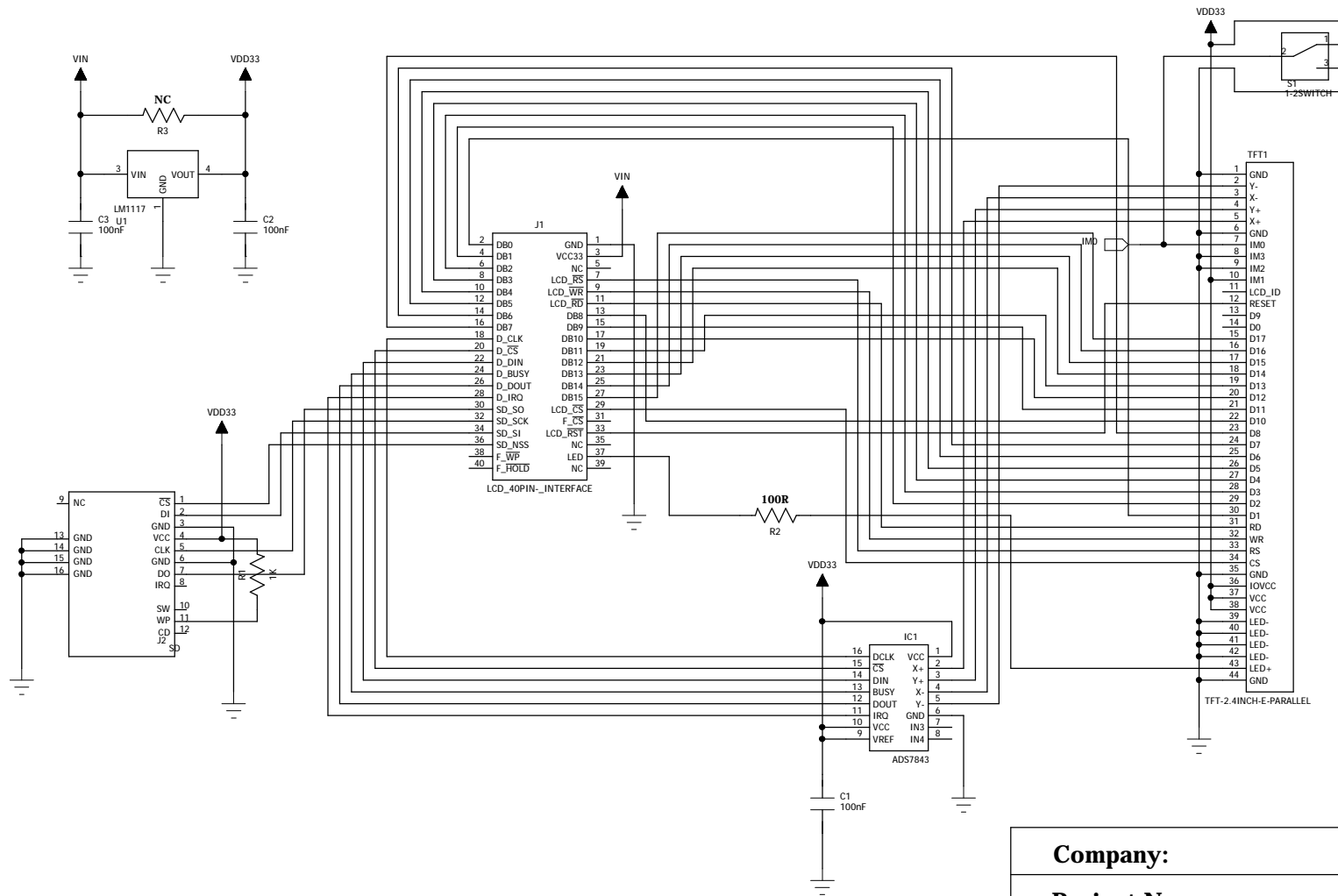
A

D

C

B

A



Company:	
Project Name:	Rev:
Sheet Name:	<undefined>
Designed by	
File Name:	tft- 2.4inch- E-parallel.sch
Date :	Page Num: 1 of 1