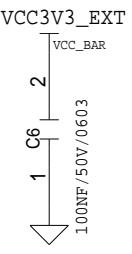
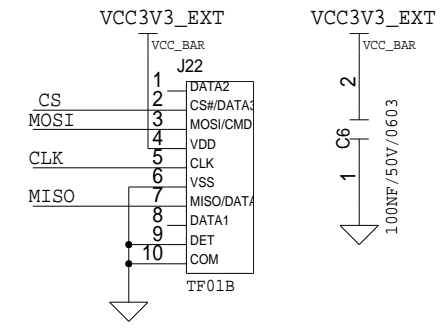
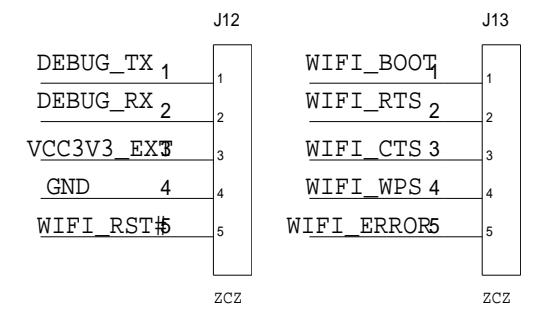
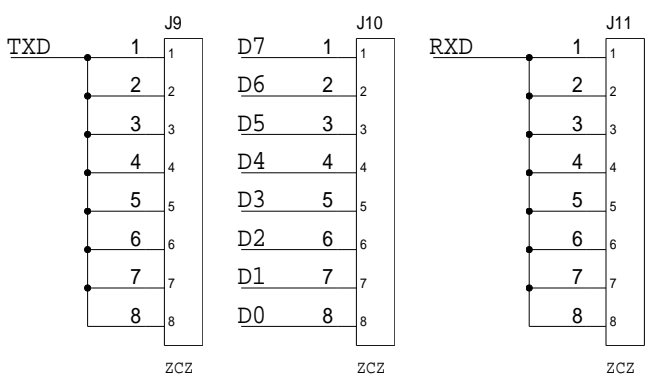
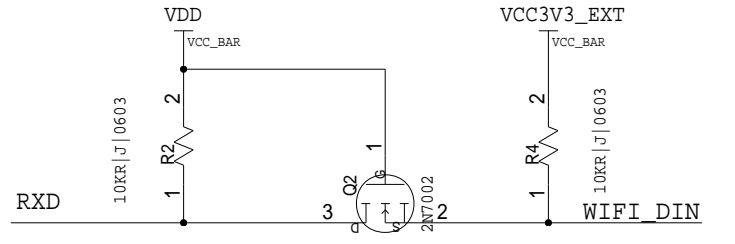
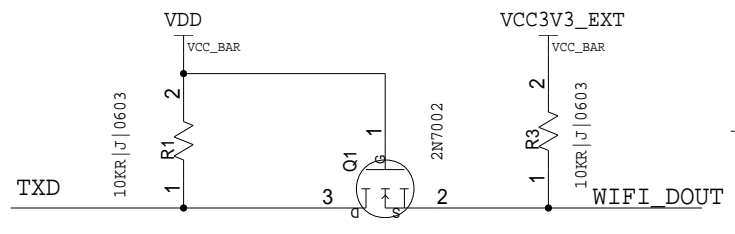
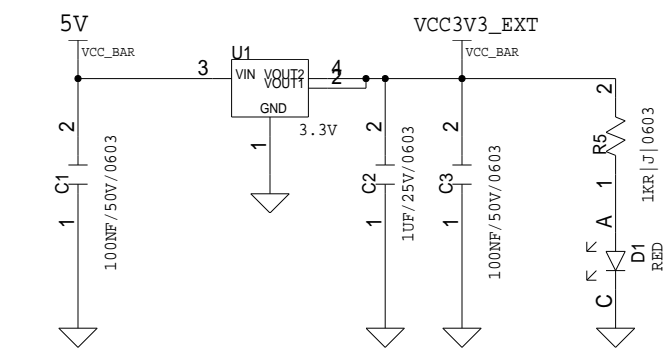
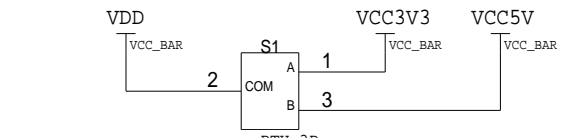
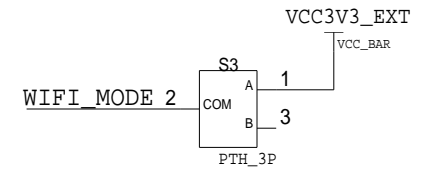
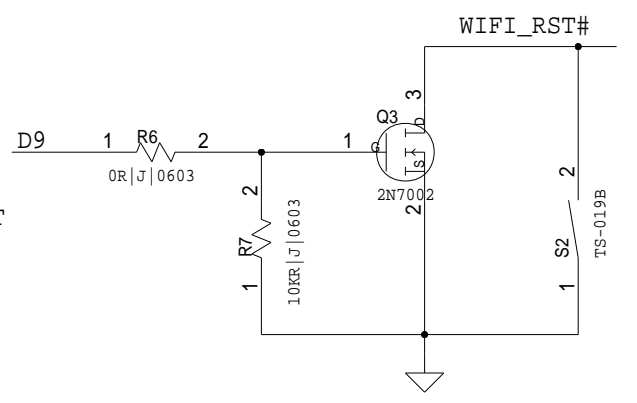
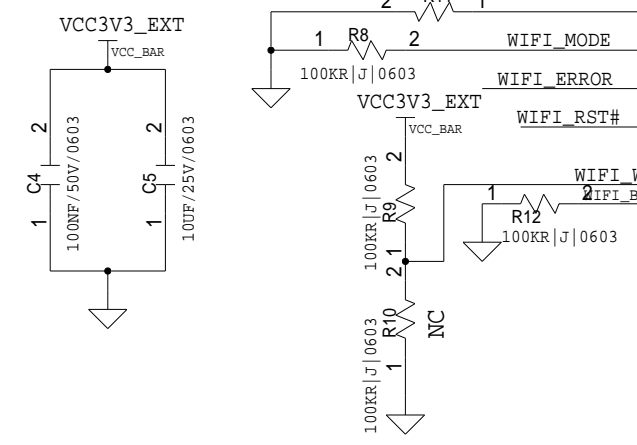
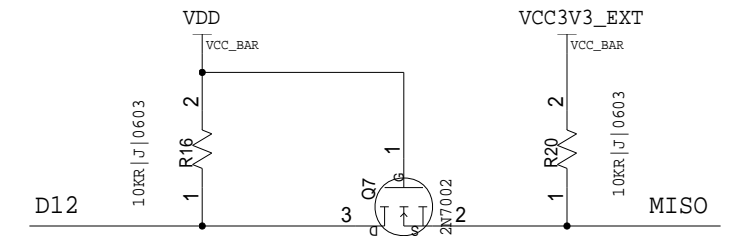
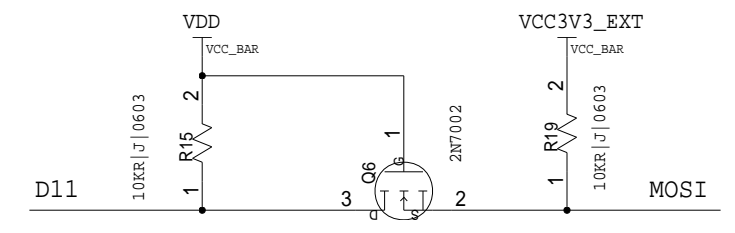
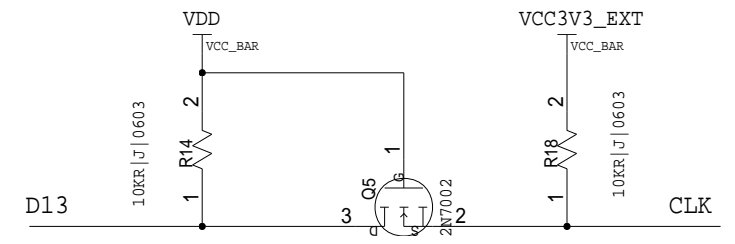
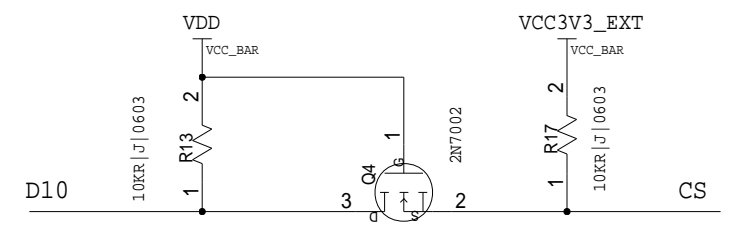
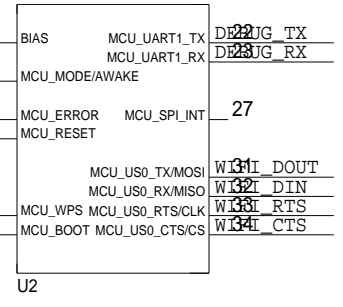


REVISIONS				
ZONE	LTR	DESCRIPTION	DATE	APPROVED

VDD3V3=VCC3V3_EXT

RAK410



CONTRACT NO.			
APPROVALS	DATE		
DRAWN			
CHECKED			
		SIZE	DRAWING NO.
		CODE IDENT NO.	
		SCALE	SHEET OF

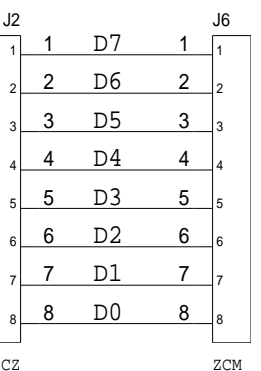
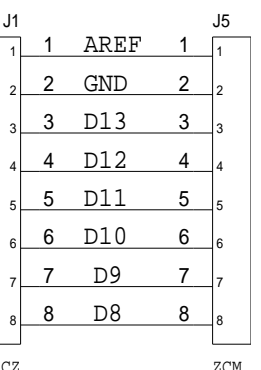
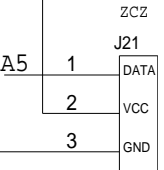
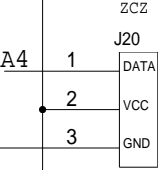
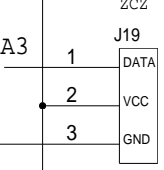
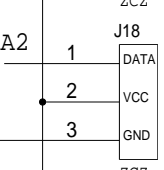
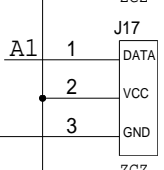
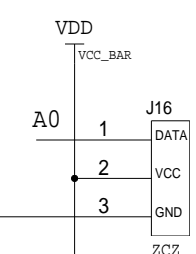
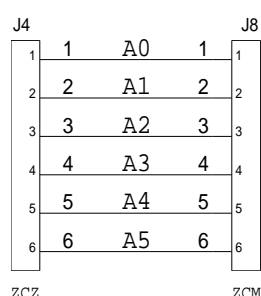
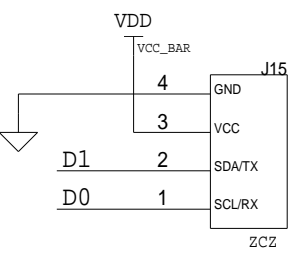
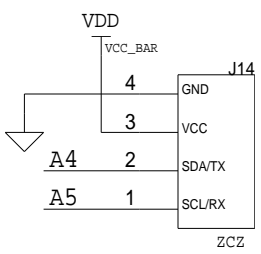
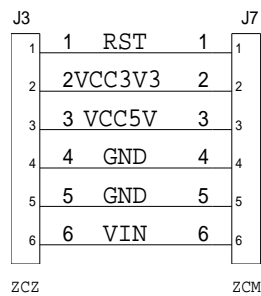
ITEAD

B

SCALE

SHEET OF

REVISIONS				
ZONE	LTR	DESCRIPTION	DATE	APPROVED



CONTRACT NO.				
APPROVALS	DATE			
DRAWN				
CHECKED				
		SIZE	CODE IDENT NO.	DRAWING NO.
ITEAD		B		
SCALE		SHEET		OF