

1

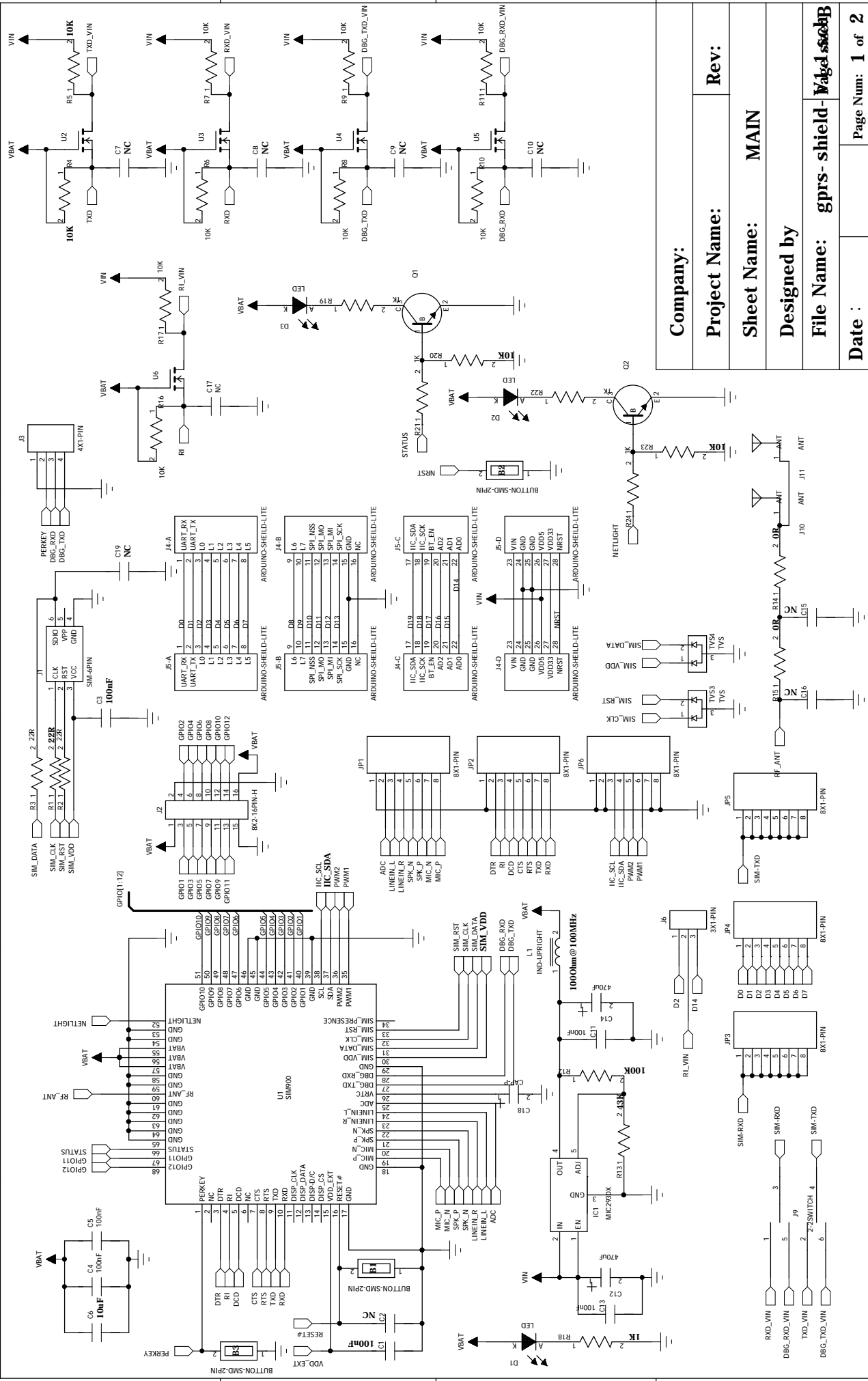
2

3

4

5

6



Company:	
Project Name:	Rev:
Sheet Name: MAIN	
Designed by	
File Name: gprs-shield-Vaid.sch	
Date :	Page Num: 1 of 2

A

B

C

D

1

2

3

4

5

6

D

C

B

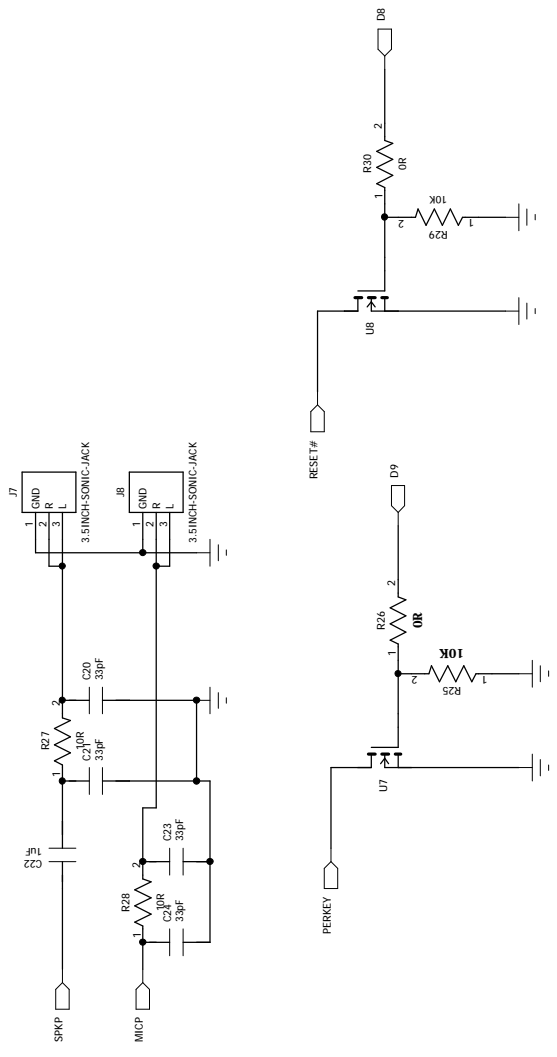
A

D

C

B

A



Company:	
Project Name:	Rev:
Sheet Name: EXT	
Designed by	
File Name: gprs-shield-VagstobB	
Date :	Page Num: 2 of 2