

6

5

4

3

2

1

D

C

B

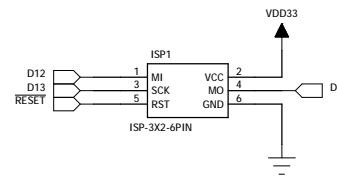
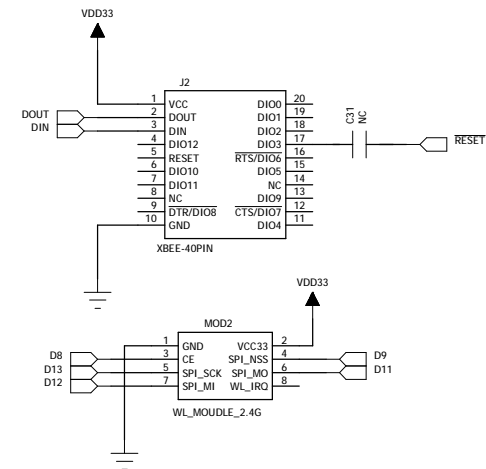
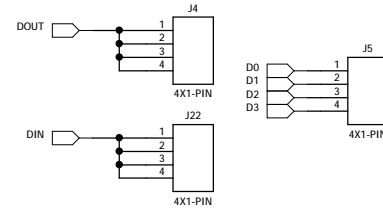
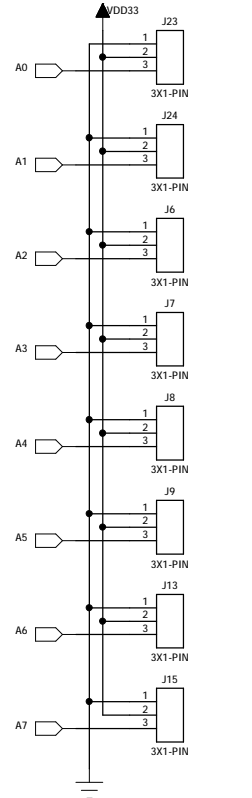
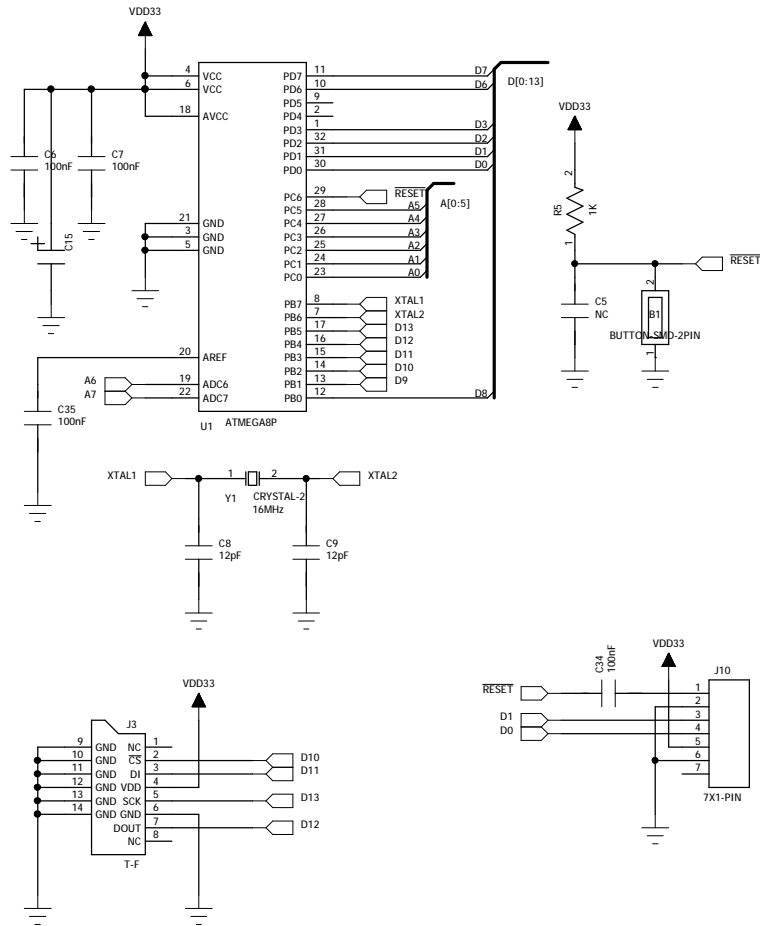
A

D

C

B

A



Company:	
Project Name:	Rev:
Sheet Name:	MAIN
Designed by	
File Name:	gprsboard.sch
Page size:	B
Date:	Page Num: 1 of 3

6

5

4

3

2

1

D

C

B

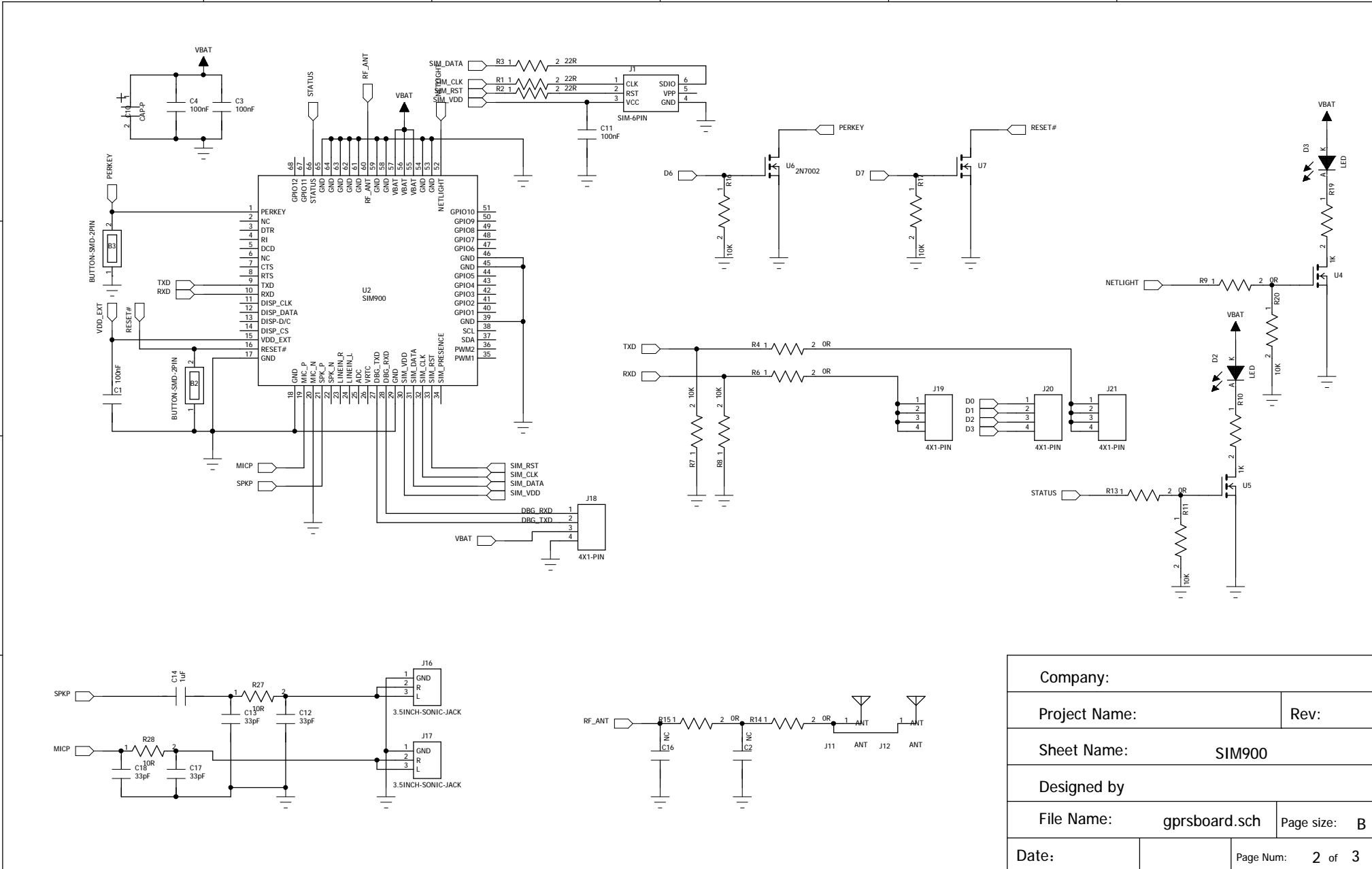
A

D

C

B

A



Company:	
Project Name:	Rev:
Sheet Name:	SIM900
Designed by	
File Name:	gprsboard.sch Page size: B
Date:	Page Num: 2 of 3

6

5

4

3

2

1

D

D

C

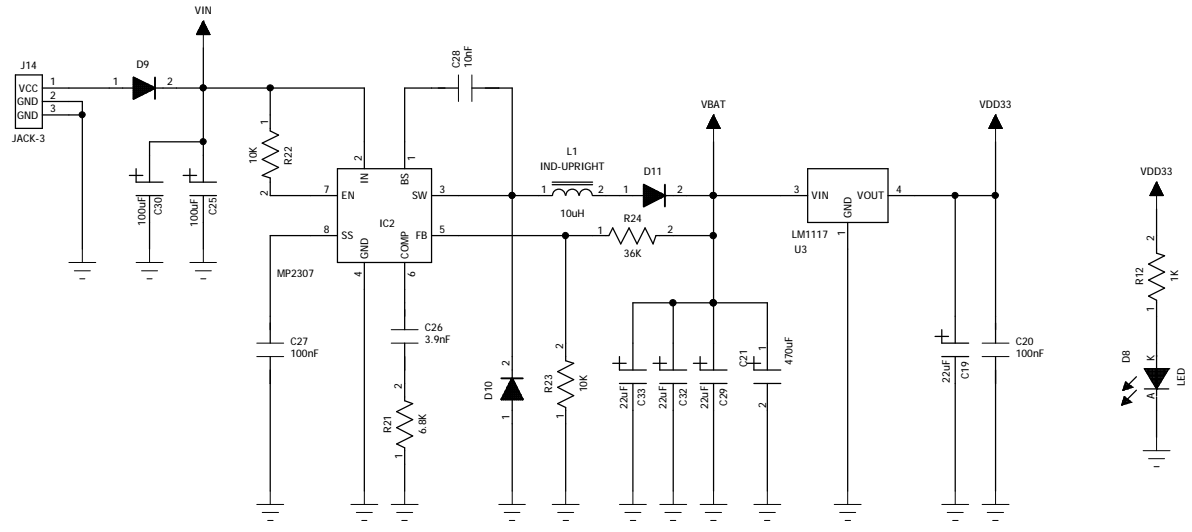
C

B

B

A

A



Company:	
Project Name:	Rev:
Sheet Name:	POWER
Designed by	
File Name:	gprsboard.sch
Date:	Page size: B
	Page Num: 3 of 3