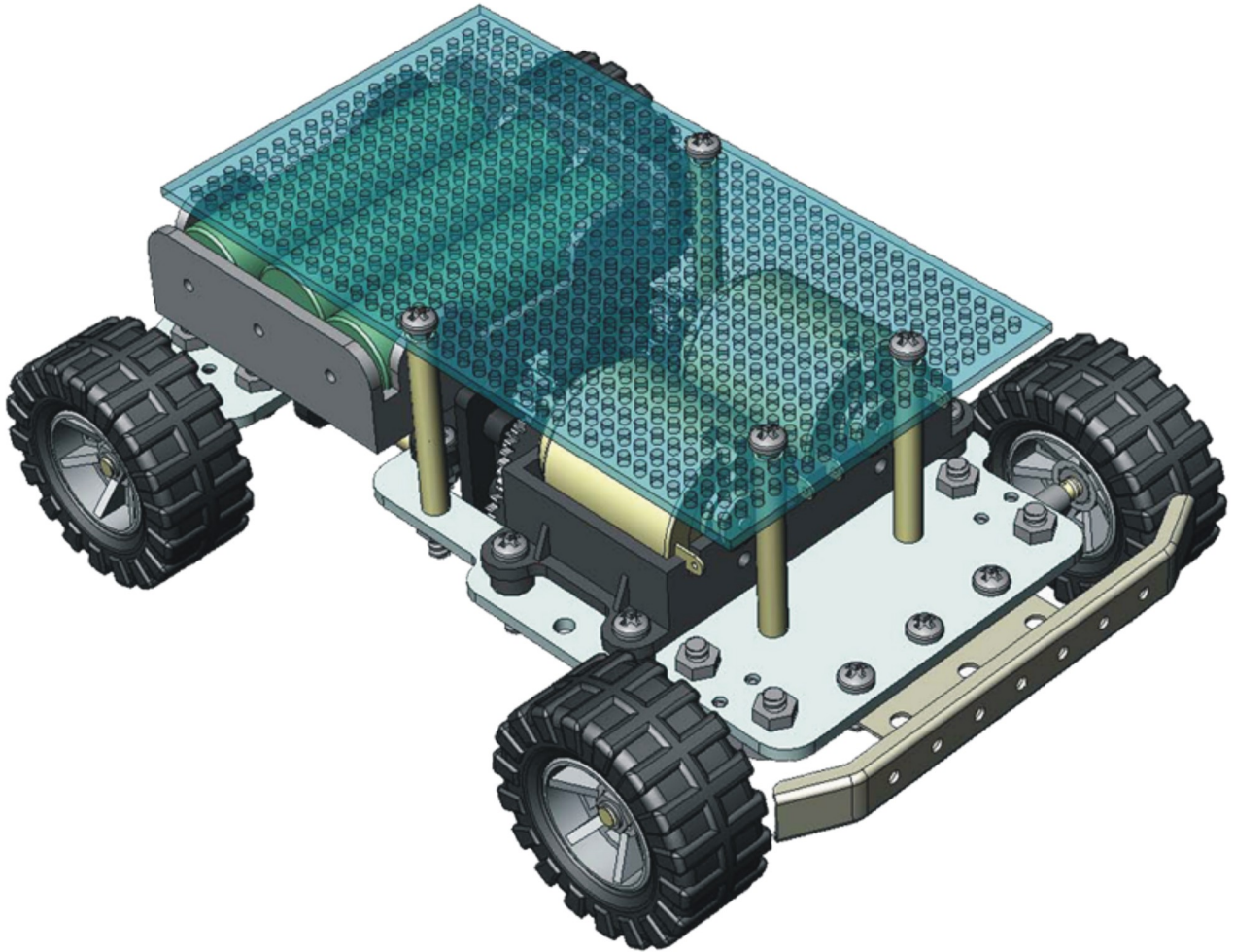


# MR. BASIC

Manual: Model TR-3



Copyright poverty:

This description is protected by the laws of copyright, Any partial or total reproduction of the contents is prohibited without prior written authorization of the manufacturer: AREXX Engineering-Zwolle(NL).  
The manufacturer and distributor cannot be held responsible for any damages occurred by mishandling, mounting mistakes or misuse due to non-respect of the instructions contained in this manual.



Manufacturer :  
DAGU Hi-Tech Electronic Co., LTD  
WWW.AREXX.COM.CN



European Importer :  
AREXX Engineering  
ZWOLLE, HOLLAND

© DAGU CHINA

Adress:NO.4-107/108 HengXing Street, HengHai Rd, South District, ZhongShan City of GuangDong China  
TEL:0760-88811951  
<http://www.arexx.com.cn>  
E-mail:info@arexx.com.cn

## PRODUCT DESCRIPTION

Thanks for your selection of our Mr. Basic, which provides you for a reliable expand platform and he is a good partner of DO-IT-YOURSELF.

## PRODUCT FEATURES

1. With aluminum alloy chassis, strong and durable.
  2. With two motor260s and one 4.5V voltage independent driver, strong and powerful.
  3. With rational structure, easy to expand.
  4. Independent parts packaging give you an absolute pleasure of DIY.
- Do it now, realize your dream, we are looking forward your masterpiece..

### **Warning:**

- No return is possible after having opened the bags with components and pieces.
- Prior to the assembly read the manual thoroughly.
- Be careful when using tools.
- Keep this kit away from young children during construction and operation. (They might get hurt by the tools or swallow small components).
- Observe the correct polarity of the battery.
- Keep the battery dry. When the Mr. Basic gets wet or not used for a long time remove the battery and let the Mr. Basic dry for some times.

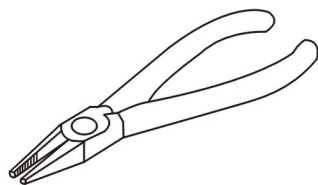
## Necessary Tools:

**Before you start assembling we suggest you first read the manual thoroughly. Please follow the assembling instructions exactly to avoid problems. If you work accurately and follow the instructions in this manual exactly you will immediately install a complete Mr. Basic.**

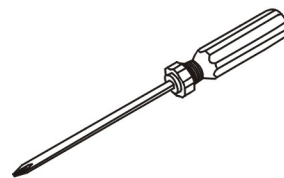
**Before you start you must prepare the tools as follow:**



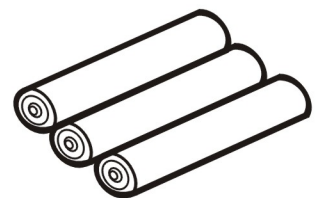
**Hexagon instrument**



**Flatnose plier**

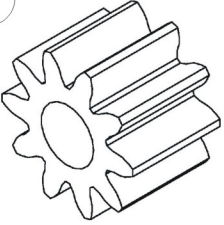
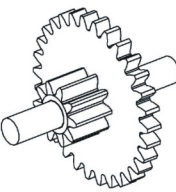
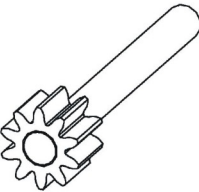
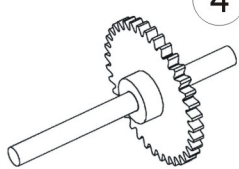
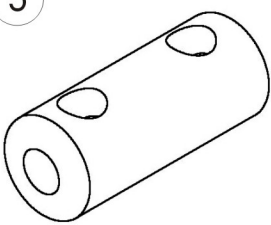
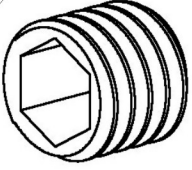
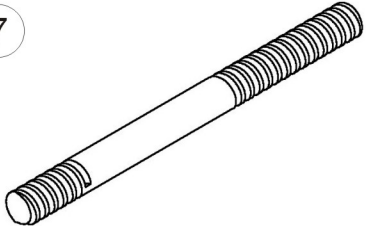
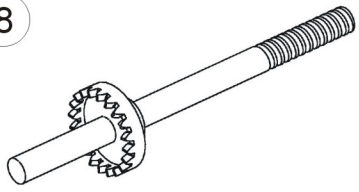
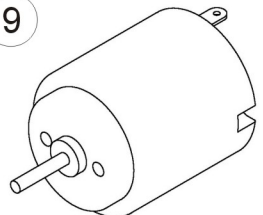
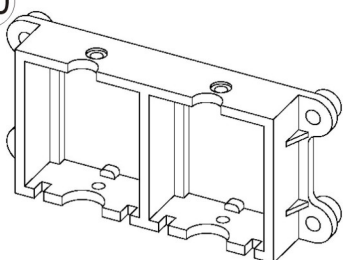
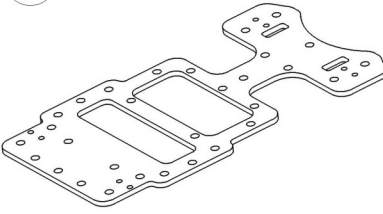
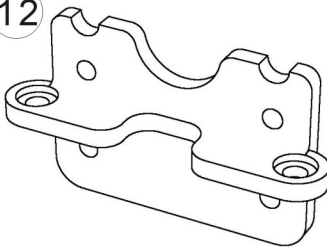
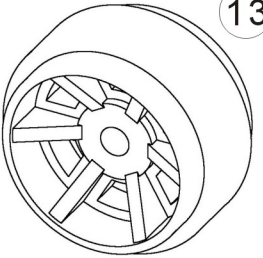
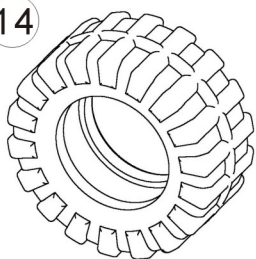
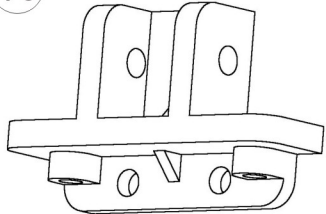
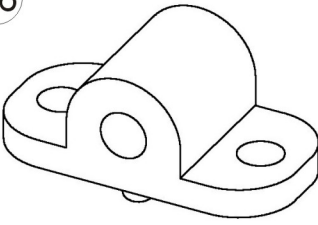
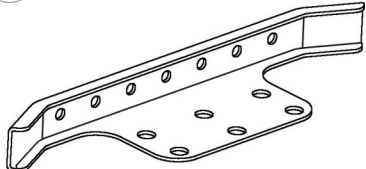
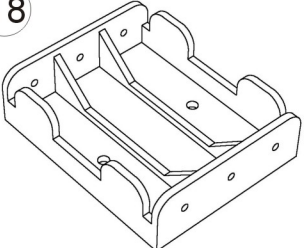
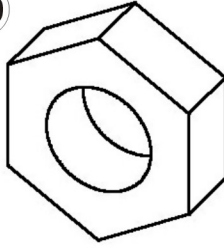
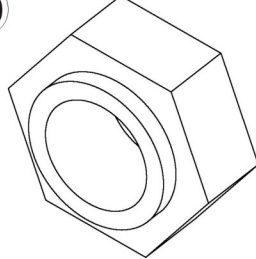
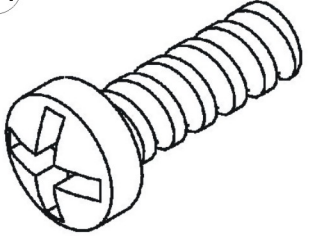
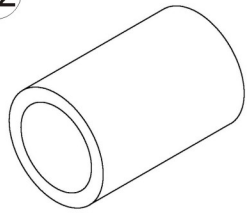
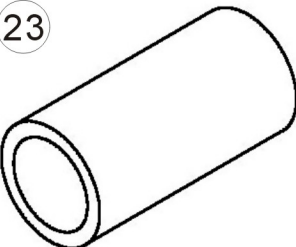
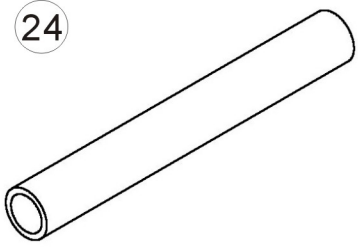
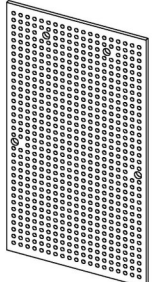


**Cross crew driver**

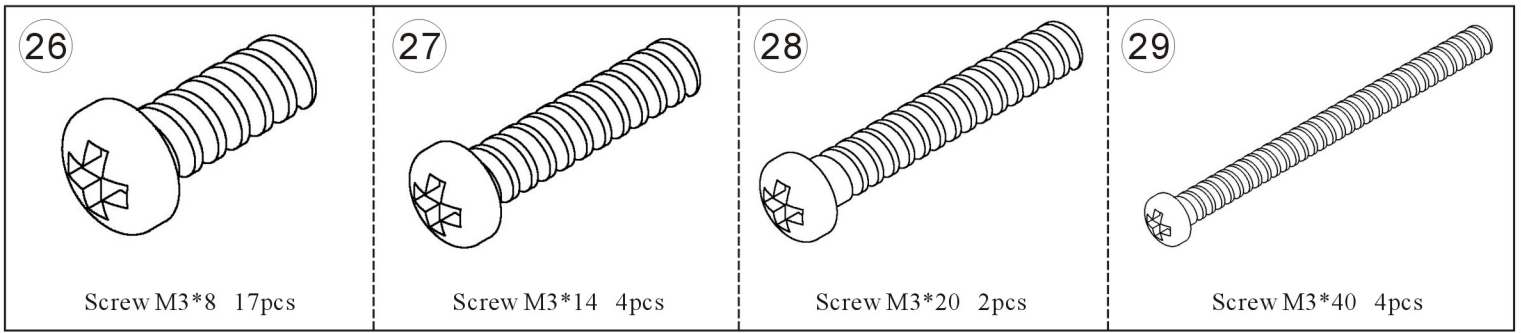


**V dry battery**

# List of components:

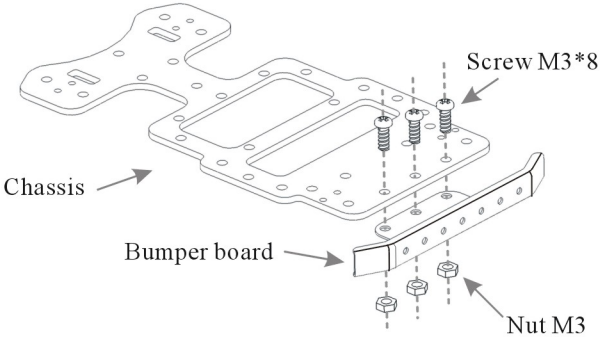
<p>1</p>  <p>Motor gear (T10, Hole1.9) 2pcs</p>	<p>2</p>  <p>Double-pinion (T30+10, Hole2.4) +axis(Diameter2.5, L18) 2pcs</p>	<p>3</p>  <p>Motor gear (T10, Hole2.4) +axis (Diameter2.5 L24) 2pcs</p>	<p>4</p>  <p>Single-pinion (T36, Hole2.4) +axis (Diameter2.5, L32) 2pcs</p>	<p>5</p>  <p>Axis joint device 2pcs</p>
<p>6</p>  <p>Kimi screw 4pcs</p>	<p>7</p>  <p>Front axle (Diameter3, L34, Both End 10, Thread M3) 2pcs</p>	<p>8</p>  <p>Rear axle (Diameter3, L 44, One end 10, Thread M3) + crown gear(T20, Hole2.9) 2pcs</p>	<p>9</p>  <p>Motor260 2pcs</p>	
<p>10</p>  <p>Motor260 holder 1pc</p>	<p>11</p>  <p>Chassis 1pc</p>	<p>12</p>  <p>Decelerated pinion chassis 2pcs</p>	<p>13</p>  <p>Big wheel 4pcs</p>	
<p>14</p>  <p>Large rubber wheel 4pcs</p>	<p>15</p>  <p>Rear axle shaft fixer1 1pc</p>	<p>16</p>  <p>Rear axle shaft fixer2 1pc</p>	<p>17</p>  <p>Bumper board 1pc</p>	
<p>18</p>  <p>Battery holder 1pc</p>	<p>19</p>  <p>Nut M3 31pcs</p>	<p>20</p>  <p>Nylon nut 6pcs</p>	<p>21</p>  <p>Motor self-tapping screw (M2.3*6) 4pcs</p>	
<p>22</p>  <p>Copper tube (outer4 inner3 L6) 2pcs</p>	<p>23</p>  <p>Copper tube (outer4 inner3 L8) 4pcs</p>	<p>24</p>  <p>Copper tube (outer4 inner3 L30) 4pcs</p>	<p>25</p>  <p>PCB 1pc</p>	



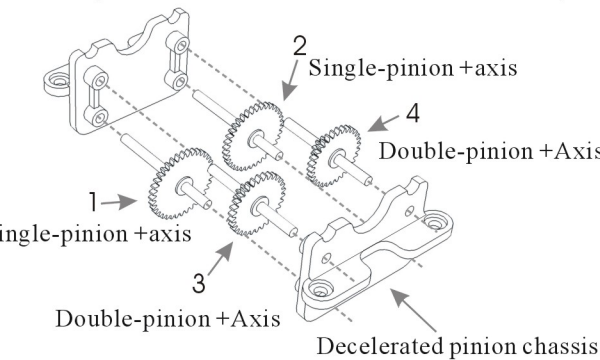


## Instructions mechanical assembly:

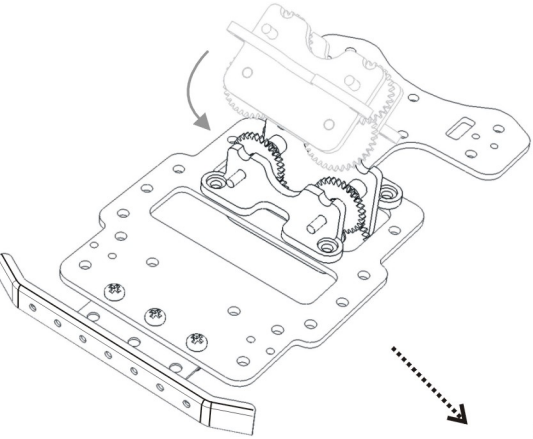
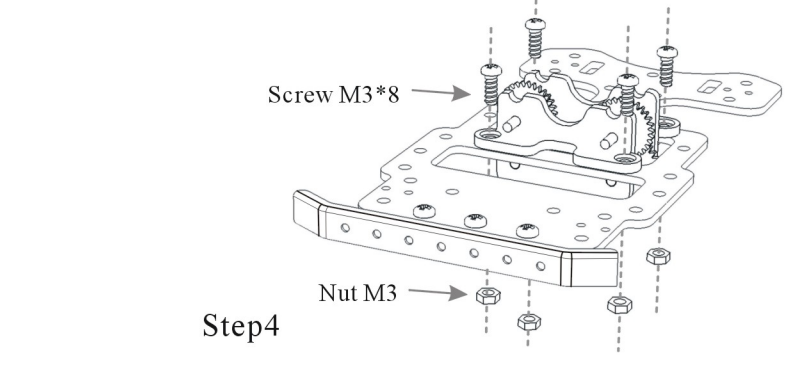
**STEP1 Fix the bumper board**



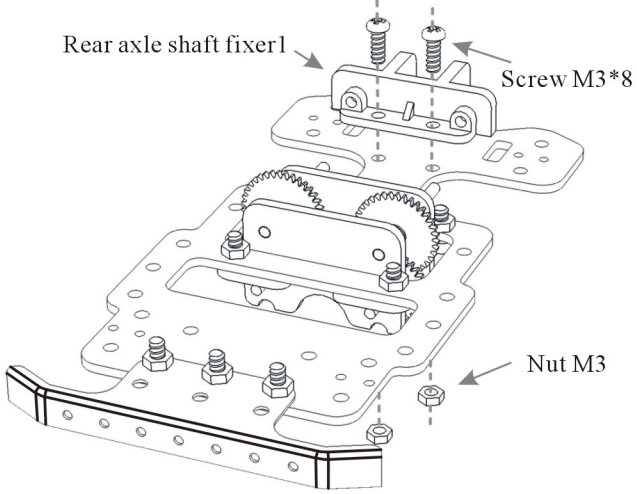
**STEP2 Assembly of decelerated pinion chassis (Please assemble in number order)**



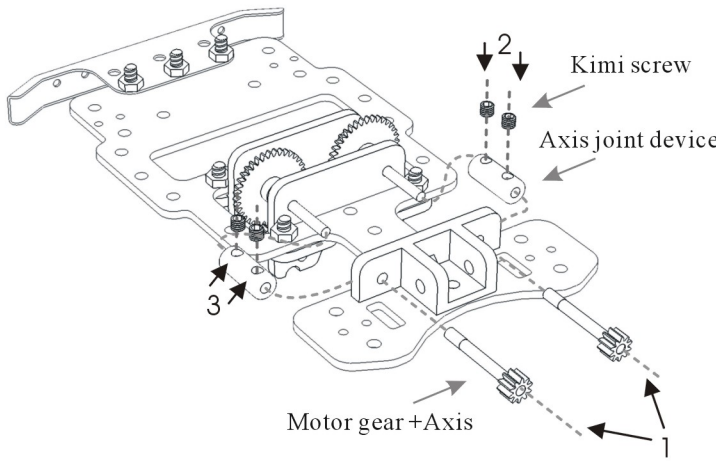
**STEP3-4 Install and fix the decelerated pinion chassis**

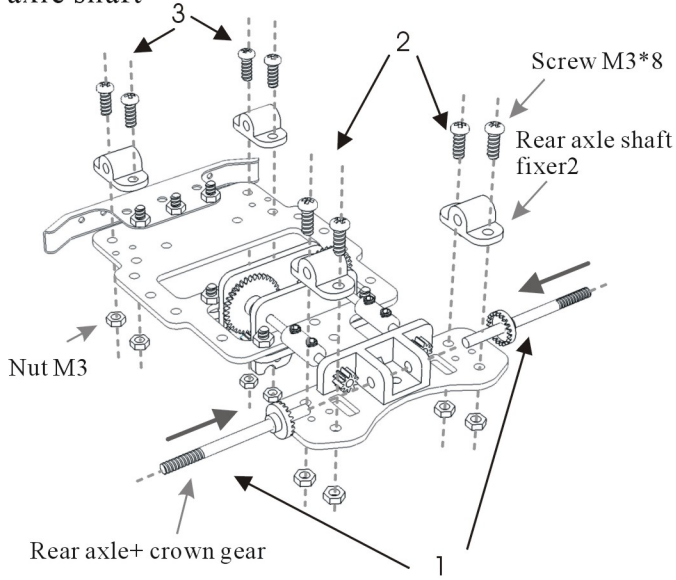
**STEP5 Install the rear axis fixing 1**



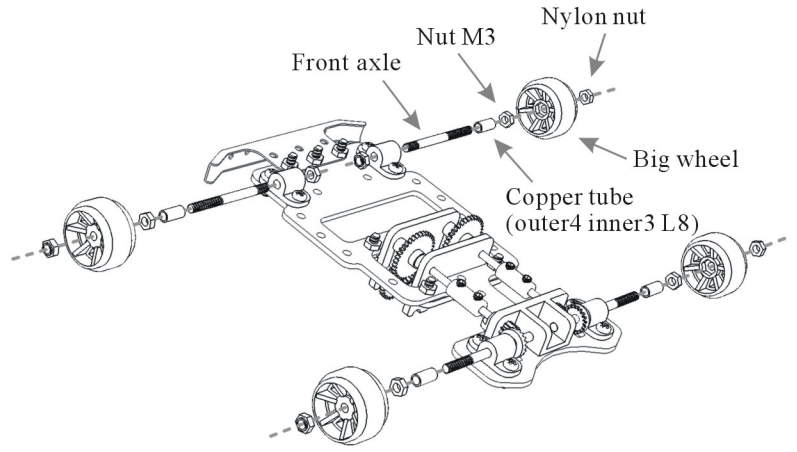
**STEP6 Install the axis joint device (Please assemble in number order)**



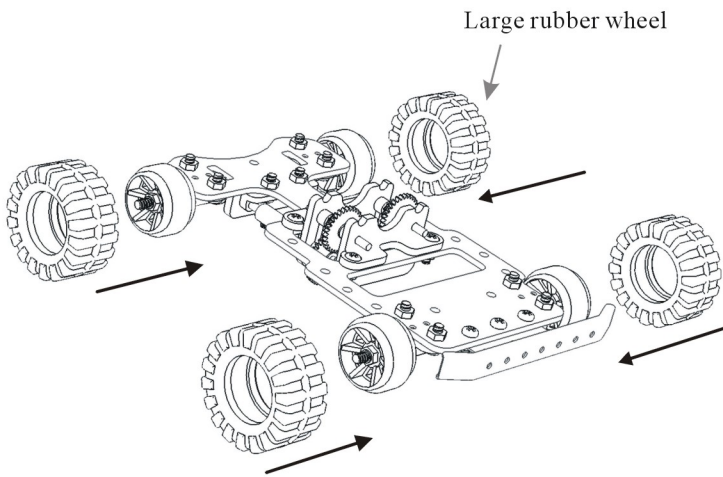
**STEP7 Install the rear axis fixing2 and rear axle shaft**



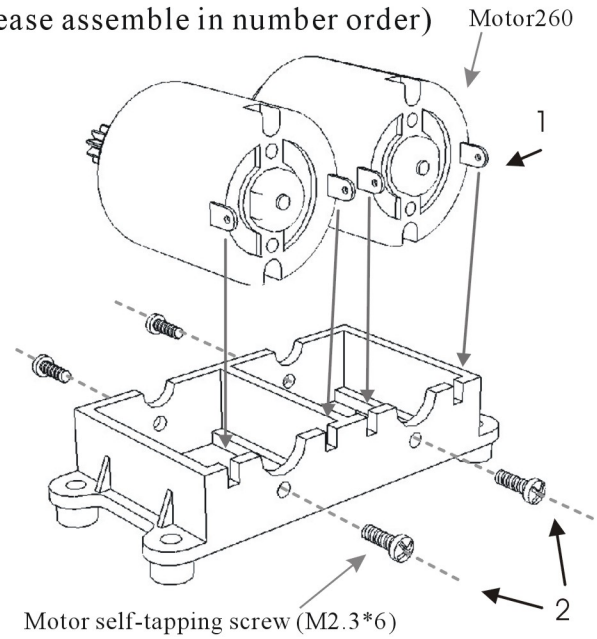
**STEP8 Fix the big wheel**



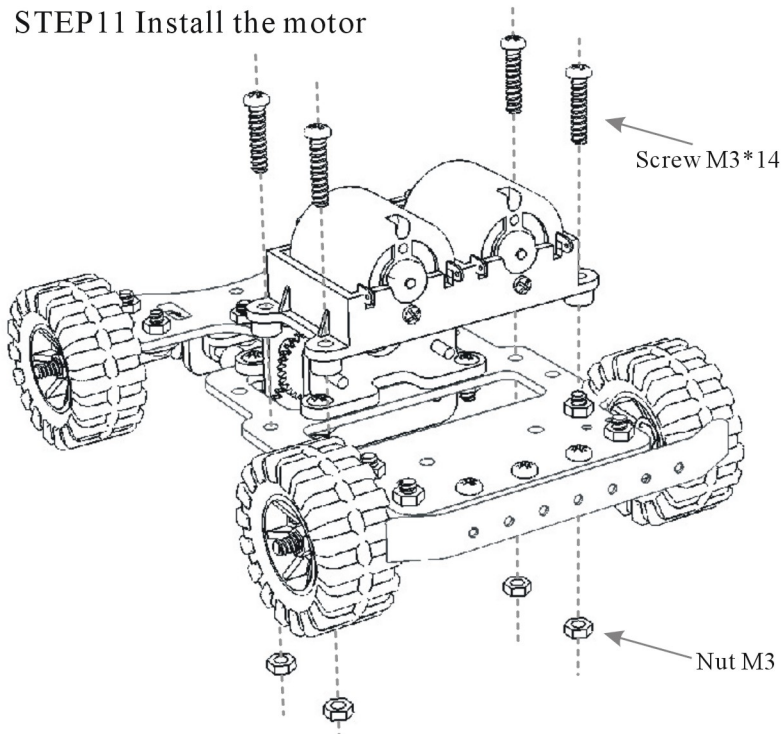
**STEP9 Install the big rubber wheel**



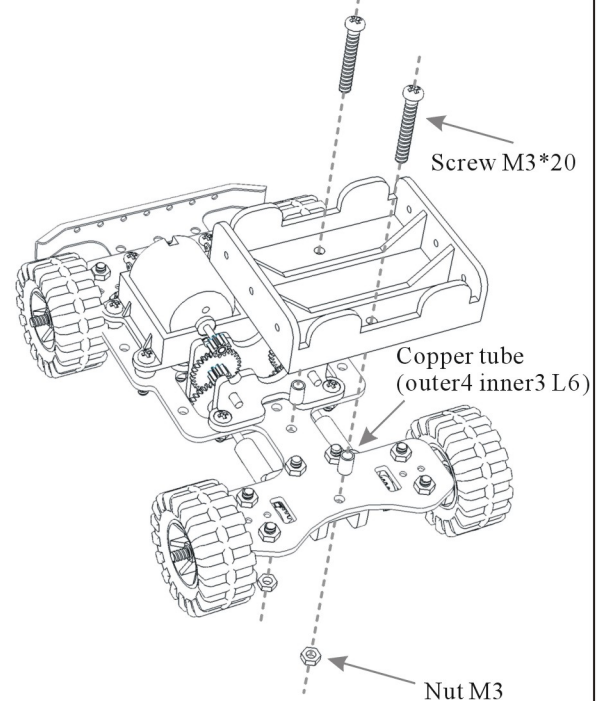
**STEP10 Fix the motor (Please assemble in number order)**



**STEP11 Install the motor**

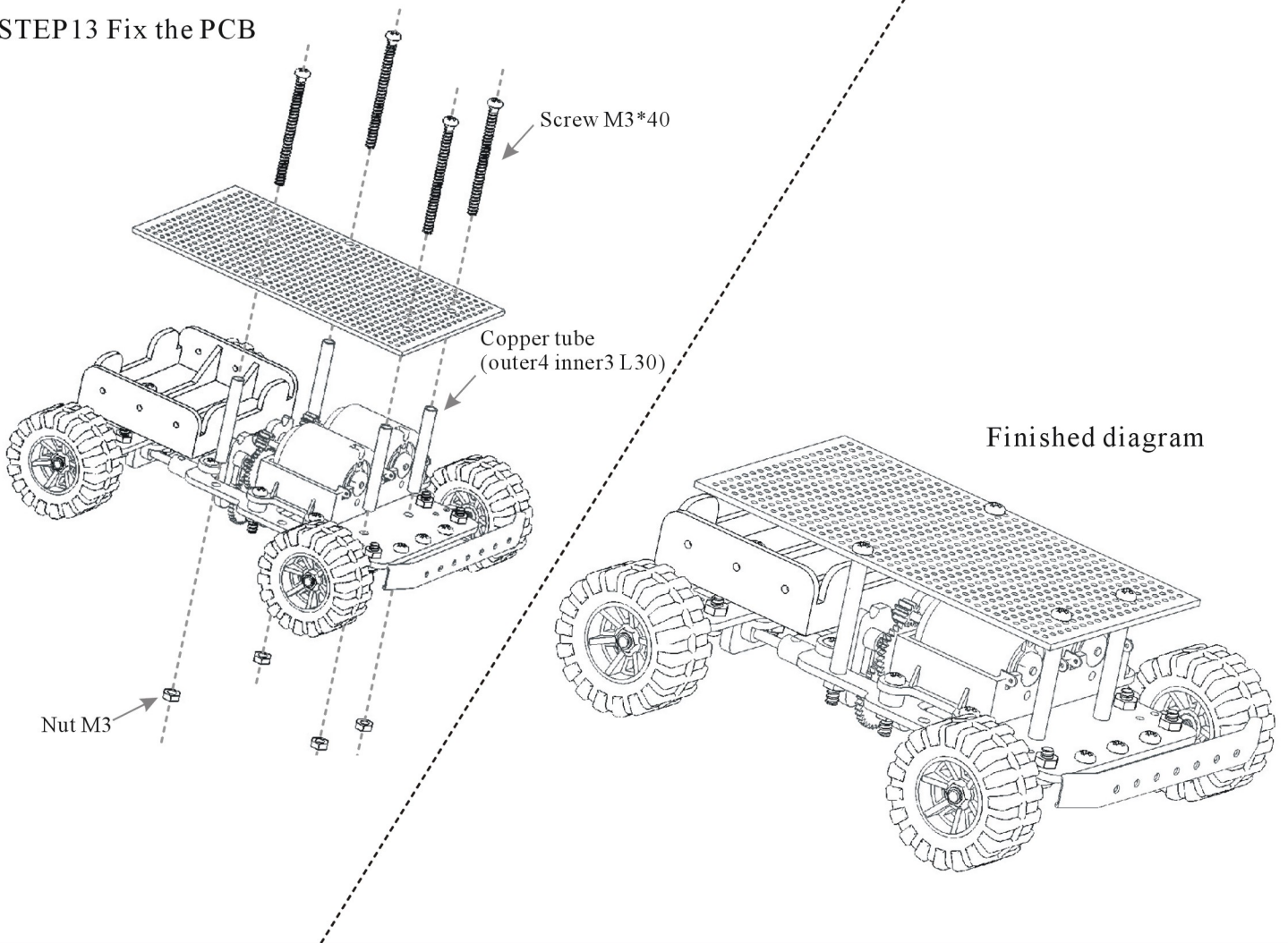


**STEP12 Fix the battery holder**





### STEP13 Fix the PCB



### Trouble shooting:

Problems	Solutions
<p>The motors do not spin after switched on</p>	<ul style="list-style-type: none"> <li>• Check the circuit: Is it turn-off or short?</li> <li>• Check all components, see if they are assembled correctly and partial spinning parts are chocked.</li> <li>• Check the gears. (Please settle it immediately, this trouble may overheat the motor and battery, then lead to danger.)</li> </ul>
<p>Noisily after starting</p>	<ul style="list-style-type: none"> <li>• Check all screws and nuts: Are they tight fixed?</li> <li>• Check the gears.</li> <li>• Check the wire and other components, Do they touch the spinning parts?</li> </ul>