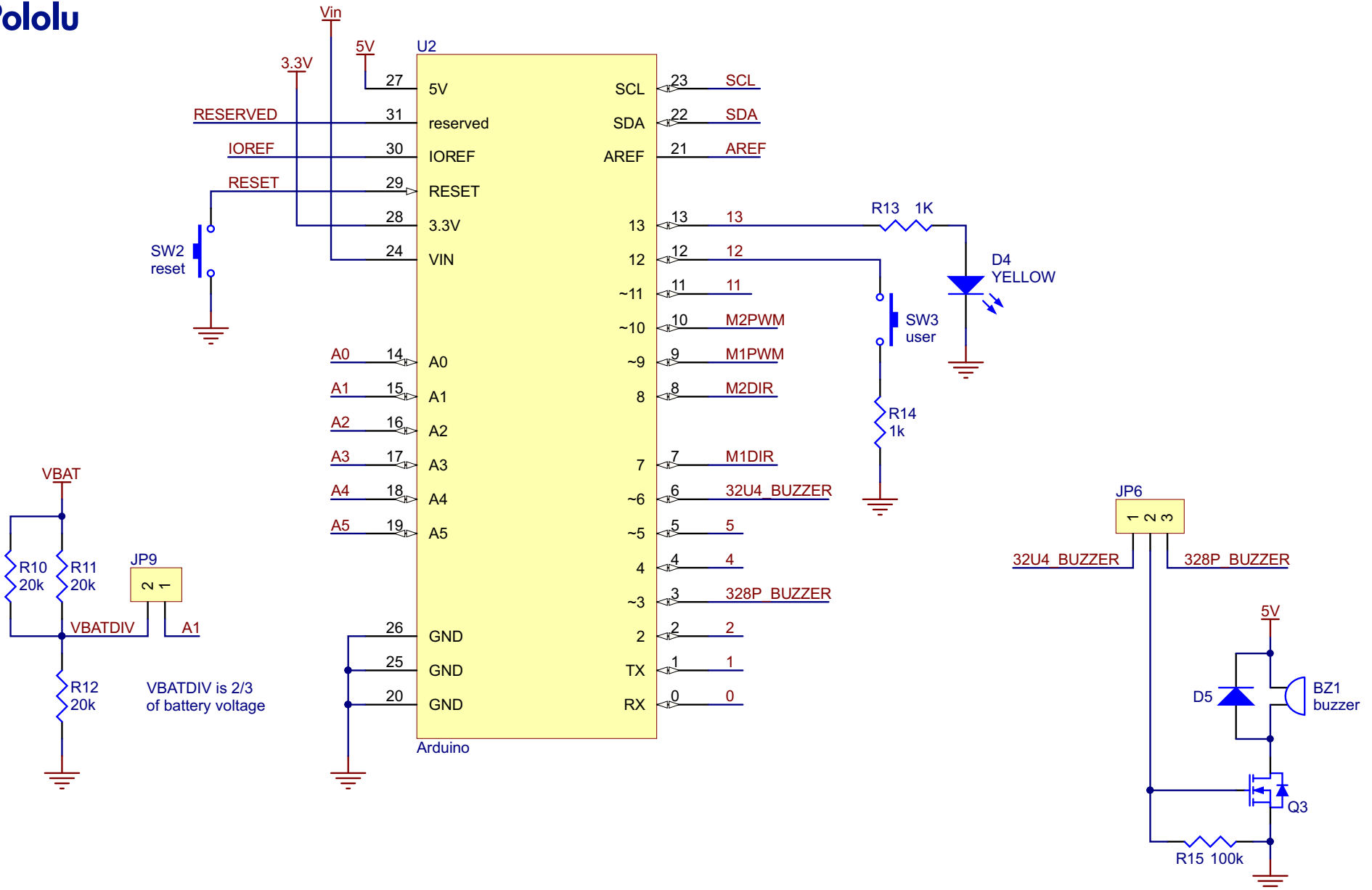




Pololu Zumo Shield for Arduino

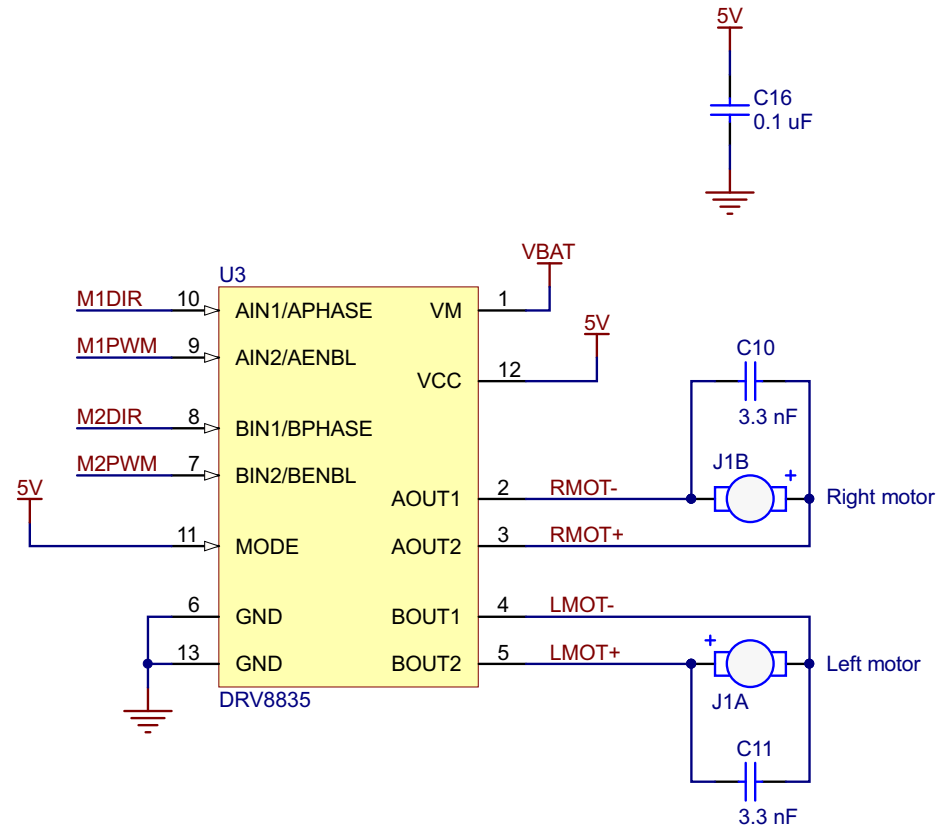
Schematic Diagram Primary Arduino connections





Pololu Zumo Shield for Arduino

Schematic Diagram Motor driver





Pololu Zumo Shield for Arduino

Schematic Diagram Main power and boost regulator

